

LED WORK LIGHT

IP20

FP-20FT/35FT-L SERIES

Feature

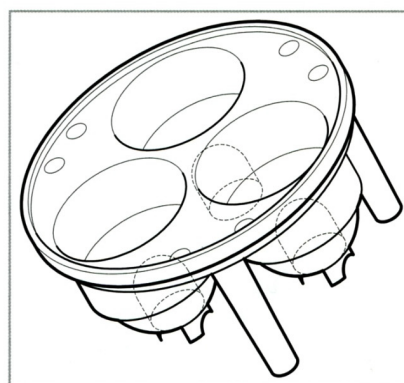
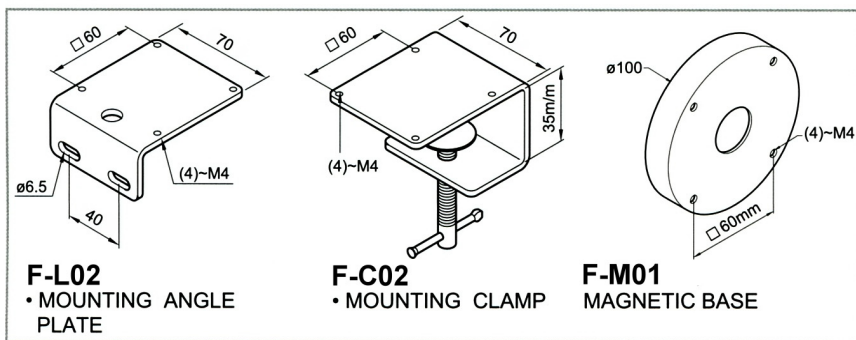
- Engineering plastic shade and base provide complete insulation for maximum operator safety.
- Power source available: AC 100V~240V 50/60Hz.
- Low voltage 24 volt AC/DC operation without danger of electric shock.
- Driver built in base.
- 1Wx3 pcs.
- Available with magnetic base.
- Mounting angle plate. (optional)
- Double shades design permits fast heat dissipation.
- Length available: 500, 600, 700 and 900 mm.
- The gooseneck arm provides vibration resistance performance.
- Economical model, yet quality constructed. Ideally suited to machine tools and machinery without big working area.



- Gooseneck arm
- 30°, 45° or 60° lighting angle
- Built-in driver
- Lighting reaches any direction
- Custom lighting angle is available

• FP-20FT-L • FP-35FT-L

OPTION

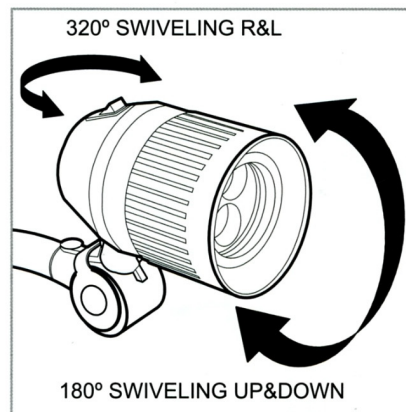
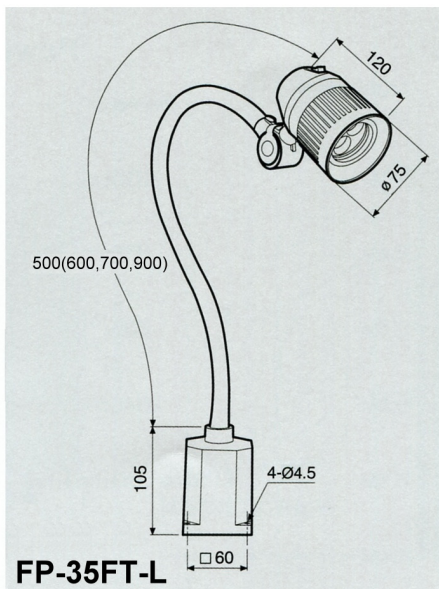
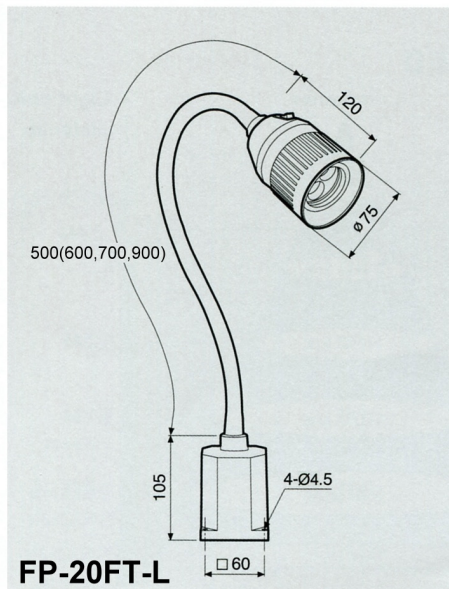


30°, 45° or 60° Lighting Angle

By simply changing the bulb holder, you can get 30°, 45° or 60° lighting angle.

DIMENSION DRAWINGS

Unit:mm



Convenient Head Swiveling (FP-35FT-L)

The head permits swiveling to any direction or fixed securely at a position.

