

## FP-50NT-L SERIES

### Feature

- FP- 50FT/50NTL/50NTM/50NTS-L accommodates AC 100V~240V (50Hz/60Hz) with 1.8 meters of cord and plug.
- FP- 50L/50M/50S-L accommodates AC/DC 24V with 1.8 meters of cord without plug.
- Consists of 3 LED bulbs.(1W)
- Articulated arm provides vibration resistance.
- Engineering plastic shade and base provide complete insulation.

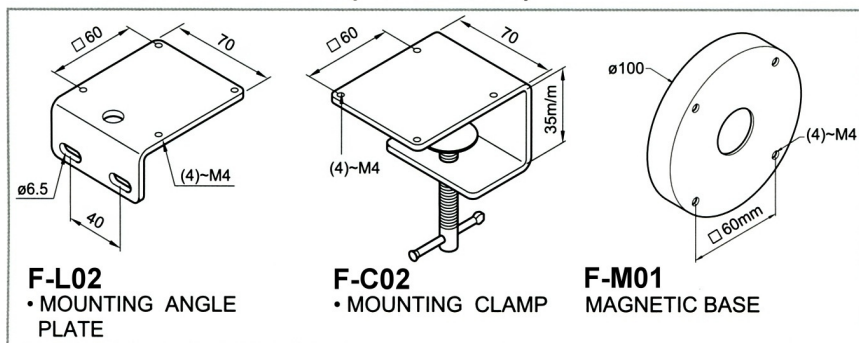
### LIGHT SWITCH

The light switch is standard. Less switch is available upon request.



• FP-50NTL-L • FP-50NTM-L • FP-50NTS-L • FP-50FT-L  
 • FP-50L-L • FP-50M-L • FP-50S-L

### 70mm SQUARE BASE (OPTIONAL)



### DIMENSION DRAWINGS

Unit:mm

