

FP-5514NT-L SERIES

Fitted with coil transformer resisting unstable voltage.

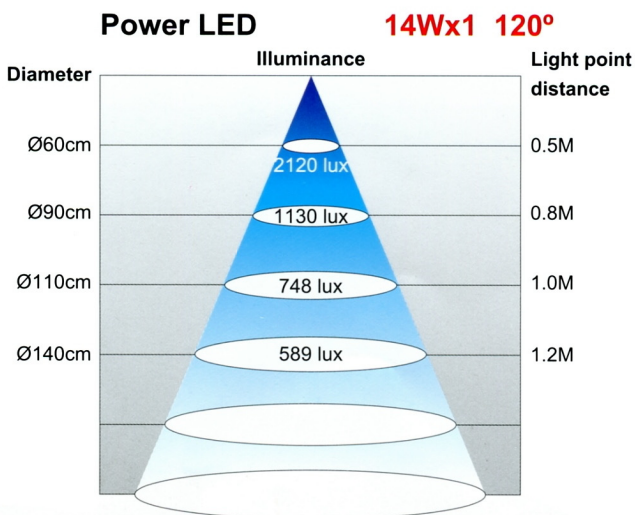
Feature

- Equipped with a LED driver for directly connecting to voltage of AC power. (100V~240V) (50Hz/60Hz) with 1.8 meters of cord and plug.
- LED driver can be externally mounted for increasing LED bulbs.
- Applicable for semiconductor manufacturing equipment and clean room.
- 14W x 1 set.
- Lighting angles to 120°.
- Long service life up to 40,000 lighting hours.

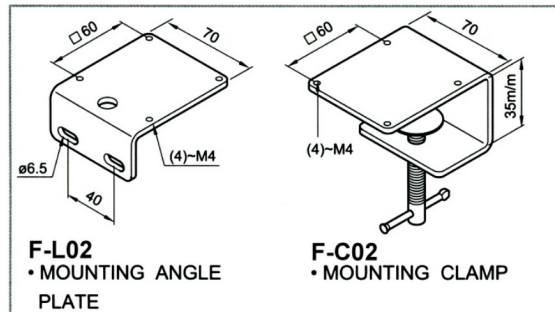
*Great Light Output !
Soft Illumination !*



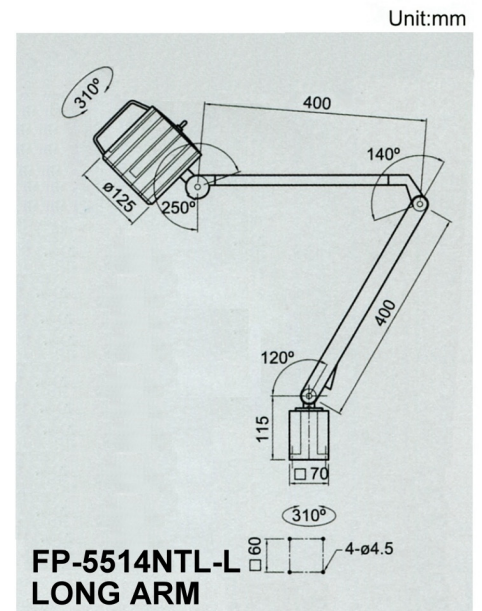
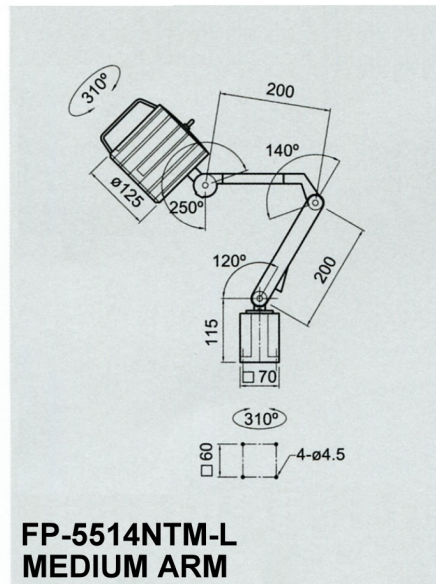
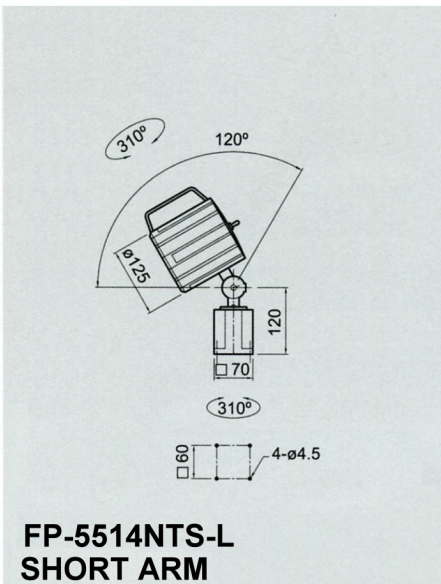
• FP-5514NTS-L • FP-5514NTM-L • FP-5514NTL-L



OPTION



DIMENSION DRAWINGS



Unit:mm