

## FP-70RNT-L SERIES

*LED driver is built in the base*

Equipped with a LED driver for directly connecting to voltage of AC power. (100V~240V) (50Hz/60Hz) with plug.

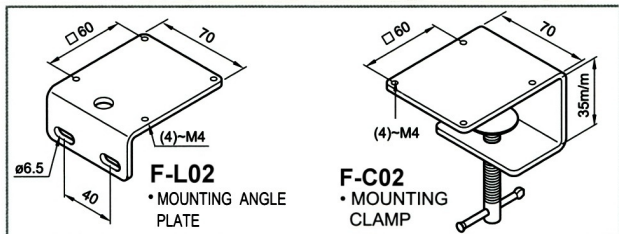
### Feature

- Various lighting angles to select 25°, 60° and 80°. Standard lighting angle is 60°.
- Power of each LED bulb is 2W x 6 pcs.
- LED driver can be externally mounted for increasing LED bulbs.
- Reinforced lense for high crack-resistance.
- Well prevention for explosion, dust, coolant and lubricant.
- Applicable for semiconductor manufacturing equipment and clean room.
- Free of infrared ray and ultraviolet ray radiation.

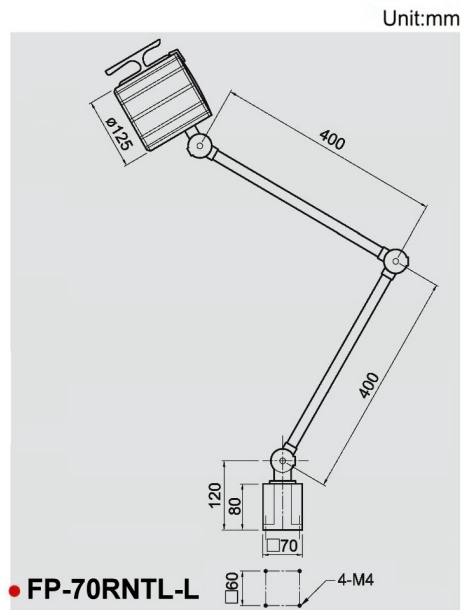
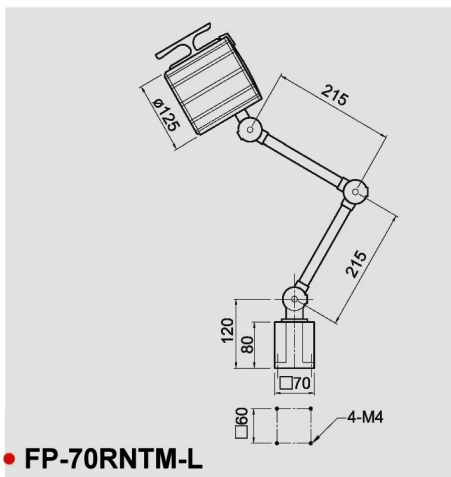
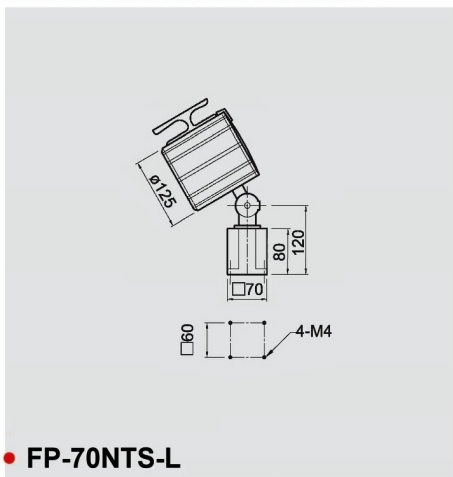


• FP-70NTS-L • FP-70RNTM-L • FP-70RNTL-L

### OPTION

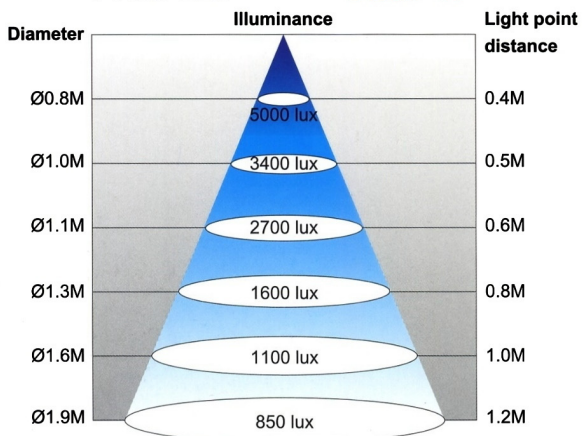


### DIMENSION DRAWINGS



Unit:mm

### Power LED 2Wx6 60°



### Power LED 2Wx6 25°

