



# WORK LIGHT

**QUARTZ HALOGEN WORK LIGHT**  
**FLUORESCENT WORK LIGHT**



# QUARTZ HALOGEN LAMP

## FP-55 SERIES

- The reinforced reflection lens built on luminous head affords high crack resistance performance as well high lighting efficiency which concentrates light on the working object.
- Low voltage operation 24V without danger of electric shock.
- It offers bulb 70W, efficiency w/great light output, soft illuminating without irritating to the eyes.
- Furnished with 1.8 meter code without plug.

### THREE MODELS

FP-55L	FP-55M	FP-55S
(Long arm)	(Medium arm)	(Short arm)



# UNIVERSAL HALOGEN LAMP

## FP-55NT SERIES (w/transformer)

- Totally enclosed lighting head provides well prevention for explosion, dust, coolant, and lubricants.
- Coil transformer built in base for directly connect to any voltage of AC power (110V, 230V, 380V..) resisting unstable voltage.
- It offers bulb 55W.
- Furnished with 1.8 meter cord with plug.

### THREE MODELS

FP-55NTL	FP-55NTM	FP-55NTS
(Long arm)	(Medium arm)	(Short arm)



# QUARTZ HALOGEN LAMP

## FP-55R SERIES / FP-55RT SERIES (w/transformer)

- ROUND TUBE arm provides great lighting angles, vibration resistance performance and WATER PROOF.
- Coil transformer built in base for directly connect to voltage of AC power. (110V, 230V, 380V) (FP-55RT)
- Low voltage 24V operation without danger of electric shock.(FP-55R)
- It offers bulb 70W (FP-55R), 55W (FP-55RT)
- Furnished with 1.8 meter cord without plug.

### EIGHT MODELS

FP-55RL/RTL	FP-55RM/RTM	FP-55-1/2RM/RTM	FP-55RS/55RTS
(Long arm)	(Medium arm)	(Half medium arm)	(Short arm)



# QUARTZ HALOGEN LAMP

## FP-20R SERIES / FP-20RT SERIES (w/transformer)

- ROUND TUBE arm provides great lighting angles, vibration resistance performance.
- Engineering plastic shade and base provide complete insulation.
- Low voltage 12 volt operation without danger of electric shock. (FP-20R)
- Fitted with coil transformer resisting unstable voltage. (FP-20RT)
- Furnished with 1.8 meter cord. (FP-20RT w/plug)
- Offers 20W bulb.

### EIGHT MODELS

FP-20RL/RTL	FP-20RM/RTM	FP-20-1/2RM/RTM	FP-20RS/RTS
(Long arm)	(Medium arm)	(Half medium arm)	(Short arm)



A removable lamp is available when requested.



The lamp head can be rotated in up/down direction.



# QUARTZ HALOGEN LAMP

FP-35R SERIES / FP-35RT SERIES (w/transformer)

- The lamp head could be rotated in UP / DOWN & LEFT / RIGHT direction.
- ROUND TUBE arm provides great lighting angles, vibration resistance performance.
- Engineering plastic shade and base provide complete insulation.
- Low voltage 12V operation without danger of electric shock. (FP-35R)
- Fitted with coil transformer resisting unstable voltage. (FP-35RT)

## EIGHT MODELS

FP-35RL/RTL (Long arm)	FP-35RM/RTM (Medium arm)	FP-35-1/2RM/RTM (Half medium arm)	FP-35RS/RTS (Short arm)
---------------------------	-----------------------------	--------------------------------------	----------------------------



The lamp head can be rotated in up/down & left/right direction.

- Offers 20W bulb.
- Double shaded designed permits fast heat dissipation.
- Furnished with 1.8 meter cord. (FP-35RT w/plug)



# QUARTZ HALOGEN LAMP

FP-20F SERIES / FP-20FT SERIES (w/transformer)

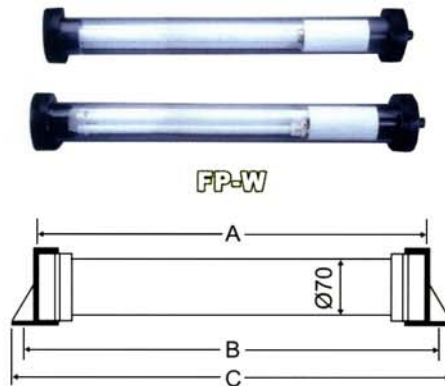
- Transformer built in base for directly connect to any voltage of AC power (110V, 230V, 380, 415V...) (FP-20FT)
- GOOSENECK ARM for smooth lighting angle adjustment that lighting could reach any direction.
- Engineering plastic shade and base provide complete insulation for max. operator safety.
- Complete with 1.8 meter cord. (FP-20FT w/plug)
- Available with magnetic base as option.
- Gooseneck arm length: 520mm
- Offers 20 watt bulb.



# COOL LIGHT LAMP

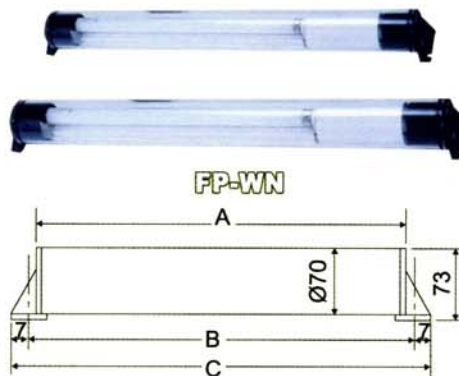
## BUILT-IN BALLAST / FP-W SERIES / FP-WN SERIES

- Various models to choose from 10, 15, 18, 20, 24, 36 to 40 watt.
- Outstanding water-proof performance.
- The outer tube is manufactured from ACRYLIC for outstanding water proof performance.
- Accommodates power source 110V or 230V, single voltage only.
- Furnished with 1.8 meter cord with plug.



### FP-W SERIES

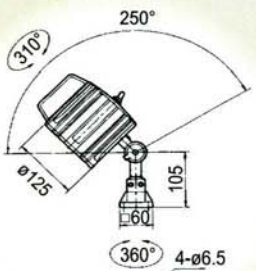
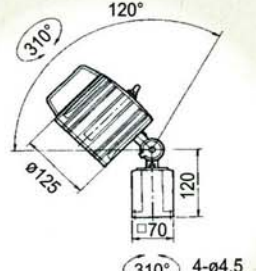
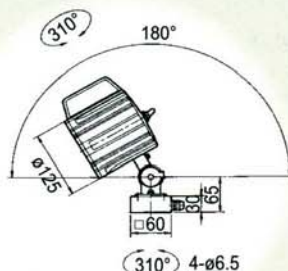
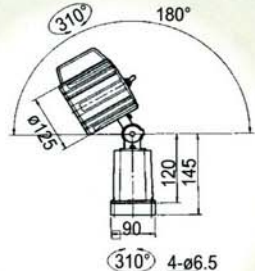
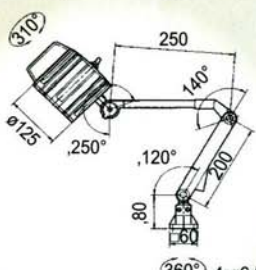
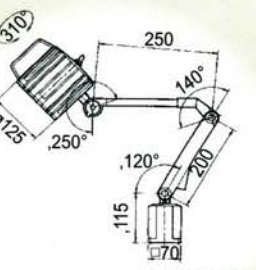
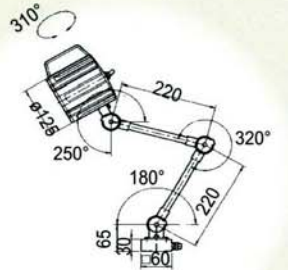
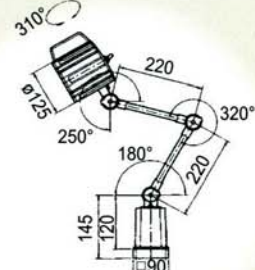
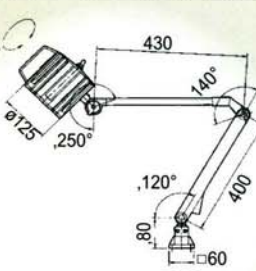
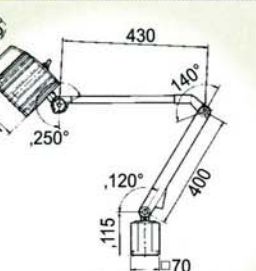
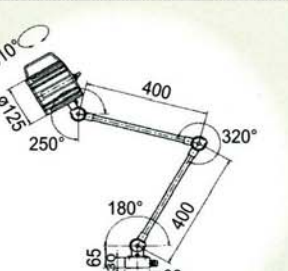
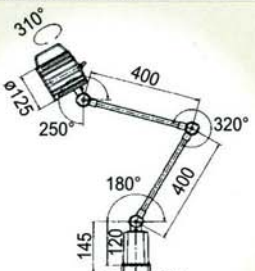
MODEL	A	B	C	WATT
FP-W10DB	566mm	591mm	611mm	10W
FP-W15DB	672mm	697mm	717mm	15W
FP-W18DB/PL	480mm	505mm	525mm	18W
FP-W20DB	816mm	841mm	861mm	20W
FP-W24DB/PL	577mm	602mm	622mm	24W
FP-W36DB/PL	669mm	695mm	715mm	36W
FP-W40DB	1484mm	1509mm	1529mm	40W



### FP-WN SERIES

MODEL	A	B	C	WATT
FP-WN10DB	566mm	582mm	606mm	10W
FP-WN15DB	672mm	688mm	712mm	15W
FP-WN18DB/PL	480mm	496mm	520mm	18W
FP-WN20DB	816mm	832mm	856mm	20W
FP-WN24DB/PL	577mm	593mm	617mm	24W
FP-WN36DB/PL	669mm	686mm	710mm	36W
FP-WN40DB	1484mm	1500mm	1540mm	40W

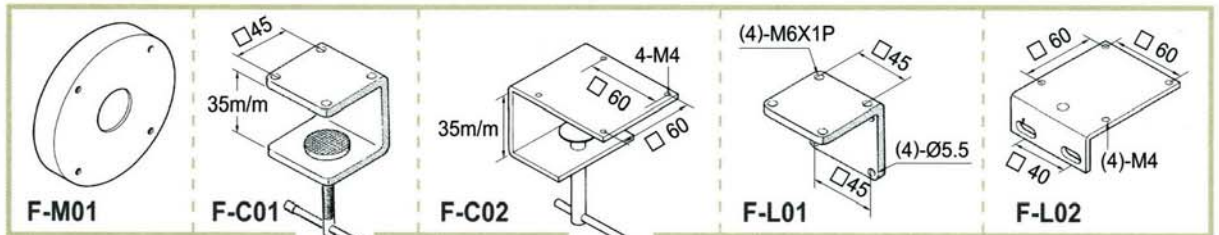
# DIMENSIONS

FP-55 SERIES	FP-55NT SERIES	FP-55R SERIES	FP-55RT SERIES
 <p><b>FP-55S</b> SHORT ARM</p>	 <p><b>FP-55NTS</b> SHORT ARM</p>	 <p><b>FP-55RS</b> SHORT ARM</p>	 <p><b>FP-55RTS</b> SHORT ARM</p>
 <p><b>FP-55M</b> MEDIUM ARM</p>	 <p><b>FP-55NTM</b> MEDIUM ARM</p>	 <p><b>FP-55RM</b> MEDIUM ARM</p>	 <p><b>FP-55RTM</b> MEDIUM ARM</p>
 <p><b>FP-55L</b> LONG ARM</p>	 <p><b>FP-55NTL</b> LONG ARM</p>	 <p><b>FP-55RL</b> LONG ARM</p>	 <p><b>FP-55RTL</b> LONG ARM</p>

## OPTIONAL ACCESSORIES



Built-out type coil transformer



**F-M01**  
Magnetic base for FP-20F/FT, FP-35RT, FP-20RT, FP-55NTS.

**F-C01**  
Mounting clamp for FP-55, FP-55R, FP-55RT, FP-35R, FP-20R series

**F-C02**  
Mounting clamp for FP-20F/FT, FP-55NT, FP-35RT, FP-20RT series

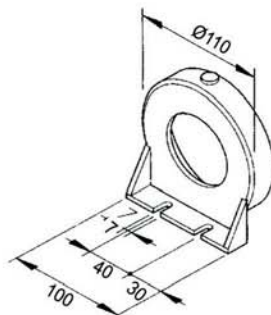
**F-L01**  
Mounting angle plate for FP-55, FP-55R, FP-55RT, FP-20R, FP-35R series

**F-L02**  
Mounting angle plate for FP-20F/FT, FP-55NT, FP-35RT, FP-20RT series

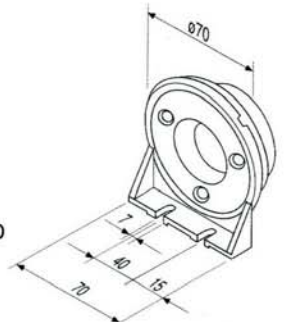
## STANDARD ACCESSORIES

For cool light lamp

**FP-115**  
MOUNTING STAND

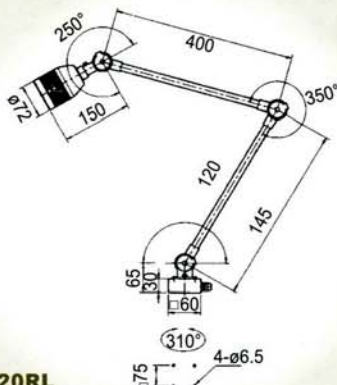


**FP-116**  
MOUNTING STAND



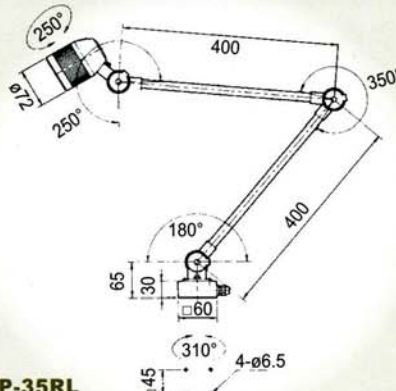
# DIMENSIONS

## FP-20R/RT SERIES



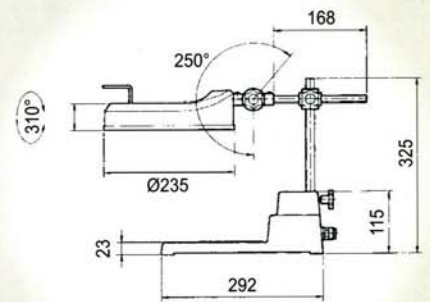
**FP-20RL**  
LONG ARM

## FP-35R/RT SERIES

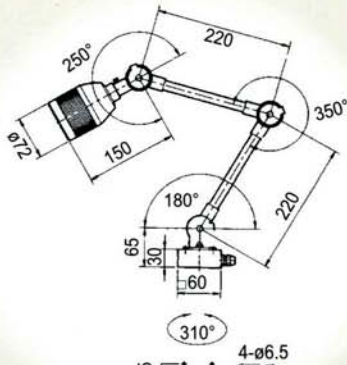


**FP-35RL**  
LONG ARM

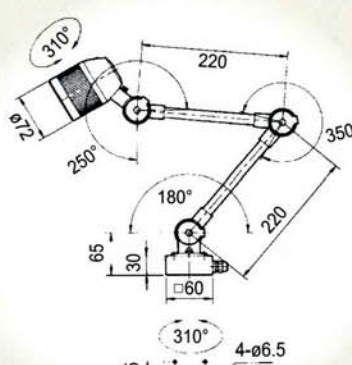
## MAGNIFYING FLUORESCENT WORK LIGHT SERIES



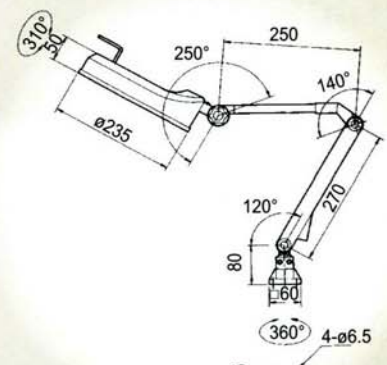
**FP-30TEB**  
BENCH TYPE



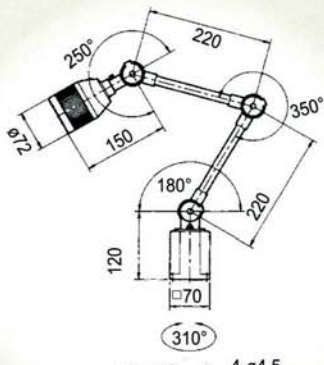
**FP-20RM**  
MEDIUM ARM



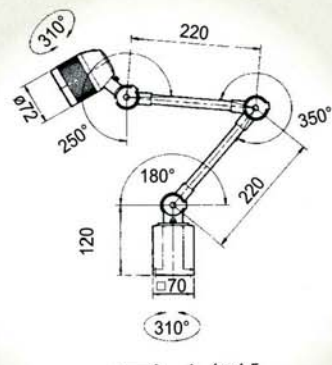
**FP-35RM**  
MEDIUM ARM



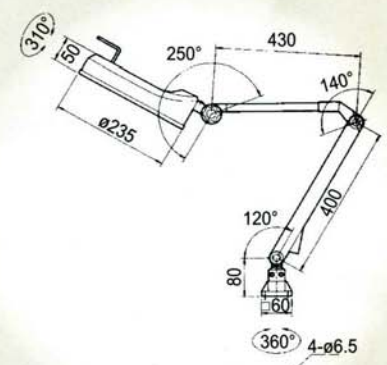
**FP-30MEB**  
MEDIUM ARM



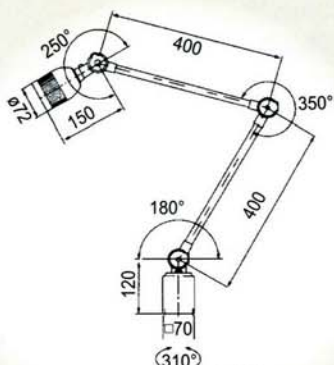
**FP-20RTM**  
MEDIUM ARM



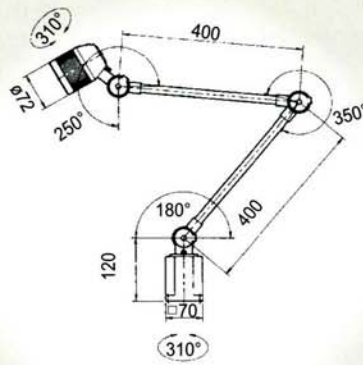
**FP-35RTM**  
MEDIUM ARM



**FP-30LEB**  
LONG ARM

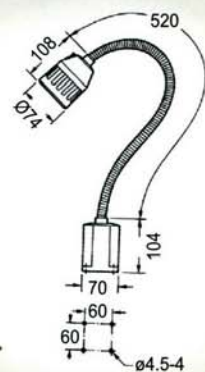


**FP-20RTL**  
LONG ARM



**FP-35RTL**  
LONG ARM

## FP-20F/FT



**FP-20F/FT**

# DOUBLE LAMP TUBES FLUORESCENT WORK LIGHT

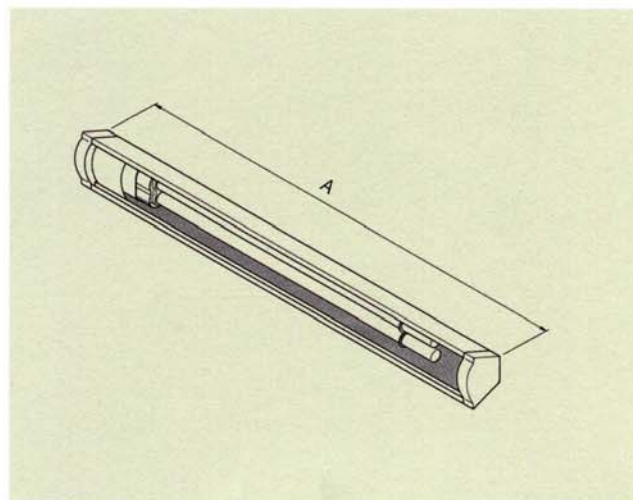
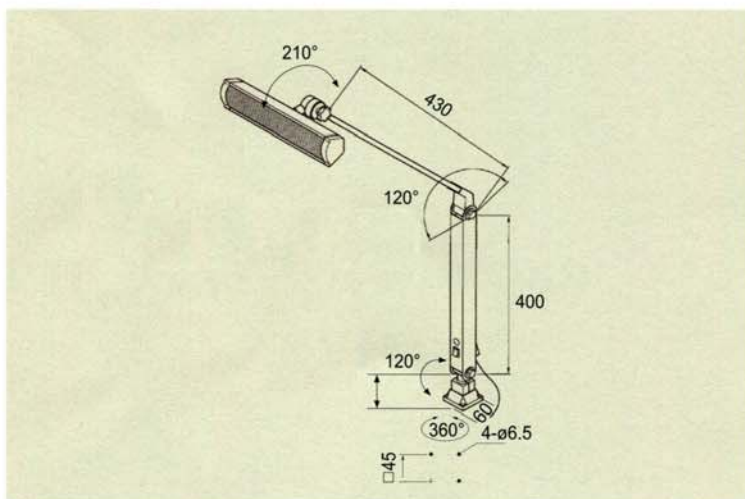
**FP-118LEB / FP-124LEB / FP-136LEB / FP-155LEB**



## Providing day light effect without flash

- Double lamp tubes configuration.
- Totally enclosed lighting head.
- 4 Models to choose from.
- Choice of various watts: 18W,24W, 36W and 55W.

## DIMENSION DRAWINGS



## SPECIFICATIONS

MODEL	LAMP LENGTH	WATT	VOLT	LUMEN
FP-118LEB	217mm	18 (TC-L18W)	110V or 230V	1200 $lm$
FP-124LEB	317mm	24 (TC-L24W)		1800 $lm$
FP-136LEB	411mm	36 (TC-L36W)		2900 $lm$
FP-155LEB	533mm	55 (TC-L55W)		4800 $lm$

● The above specifications are subject to change without prior notice.

## DIMENSIONS(mm)

MODEL	A
FP-118LEB	350
FP-124LEB	450
FP-136LEB	553
FP-155LEB	628

- **Models FP-118LEB and FP-124LEB are made to order.**
- **Custom specifications are available upon request.**



# DOUBLE LAMP TUBES FLUORESCENT WORK LIGHT

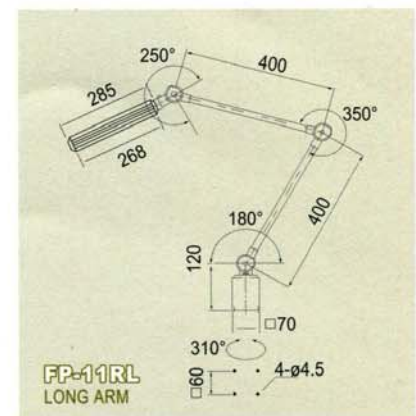
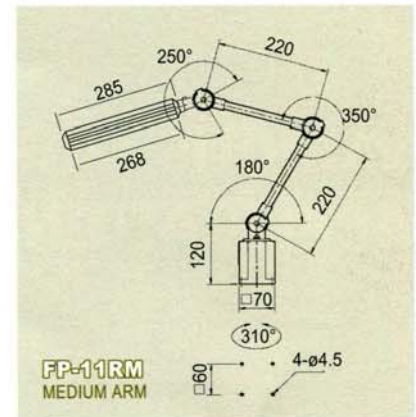
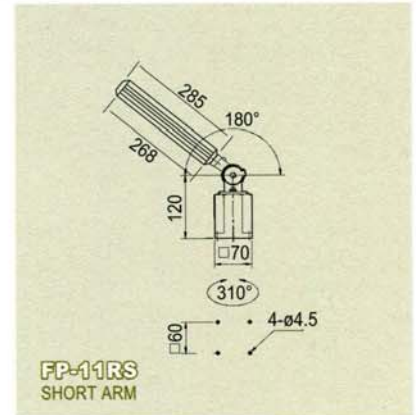
## FP-11R SERIES / FP-11FDB



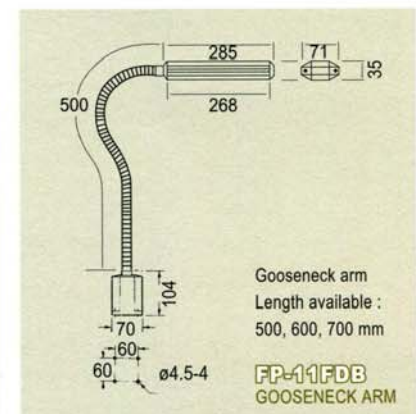
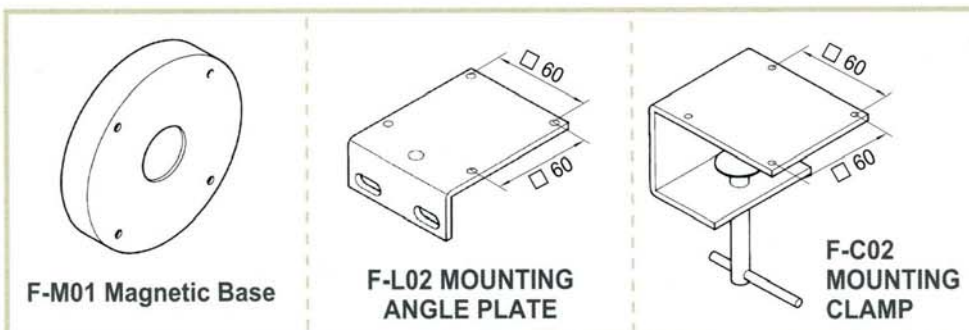
### Outstanding Features

- Aluminum lamp head.
- One piece fabricated acrylic front shade.
- Choice of clamp, lock, or magnetic base.
- Modern structure.
- Low power consumption only 11 watt.
- Silver or black color for choice.
- Articulated arm available.
- Low heat emission.
- Ideal for assembly, workshop, or office applications.
- Custom specifications are available.
- Specify your desired voltage 110V (50 or 60 HZ) or 230V (50 or 60 HZ) when ordering.
- Furnished with 1.8 meter (70") cord.

### DIMENSION DRAWINGS



### OPTION



# **VARIOUS LIGHTING APPLICATIONS**

- *Machine tools*
- *Industrial machinery*
- *STM*
- *Medical*
- *Inspection*
- *Sewing machine*
- *Work bench*
- *Precision production line*
- *Fish water tank*



**TOP PHOENIX  
INTERNATIONAL CORP.**  
Machinery Exporter & Importer

No. 48-3, Wayao Rd., Dali Dist.,  
Taichung City 412, Taiwan  
E-Mail: [sales@topphoenix.com.tw](mailto:sales@topphoenix.com.tw); [topphoenix24@gmail.com](mailto:topphoenix24@gmail.com);  
[top.phoenix@msa.hinet.net](mailto:top.phoenix@msa.hinet.net)  
<http://www.topphoenix.com.tw>  
Tel: 886-4-2406-5028 (Rep.) Fax: 886-4-2406-5019